

LUBRICATION ORDER
1 JUNE 2009

ARMY LO 9-6115-641-12
AIR FORCE TO 35C2-3-456-11-1
MARINE CORPS LO 9-6115-641-12
(Superseding LO 9-6115-641-12, 30 October 1996)

GENERATOR SET, SKID MOUNTED TACTICAL QUIET 5KW

60 Hz NSN: 6115-01-274-7387
PART NUMBER: MEP-802A
CAGEC: 30554
EIC: VG2

References: ARMY TM 9-6115-641-10, AIR FORCE TO 35C2-3-456-11

REPORTING OF ERRORS

You can help improve this LO. If you find any mistakes or if you know of a way to improve the procedures, please let us know. Reports, as applicable by the requiring Service, should be submitted as follows:

- (a) (A) Army - Mail your letter or DA Form 2028 (Recommended Changes to Publications and Blank Forms) located in the back of this manual, directly to: Commander, U.S. Army CECOM Life Cycle Management Command (LCMC) and Fort Monmouth, ATTN: AMSEL-LC-LEO-E-CM, Fort Monmouth, NJ 07703-5006. You may also send in your recommended changes via electronic mail or by fax. Our fax number is 732-532-1556, DSN 992-1556. Our e-mail address is MONM-AMSELLEOPUBSCHG@conus.army.mil. Our online web address for entering and submitting DA Form 2028s is <http://edm.monmouth.army.mil/pubs/2028.html>.
- (b) (MC) Marine Corps - Submit notice of discrepancies or suggest changes on a NAVMC 10772. The NAVMC may be submitted via the Internet using website <https://www.ala.usmc.mil>, click on Publications, Technical Publications, follow the instructions, and then click on NAVMC 10772. It may also be submitted by electronic mail to smb.log.tech.pubs.fct@usmc.mil, or by mailing a paper copy NAVMC 10772 in an envelope addressed to Commander, Marine Corps Systems Command, ATTN: Assistant Commander Acquisition and Logistics (AC LCL/TP), 814 Radford Blvd, Suite 20343, Albany, Georgia 31704-0343. In addition, forward an information copy to the Project Officer at the following address: Commander, Marine Corps Systems Command (GTES-EPS), 2200 Lester Street, Quantico, VA 22134-6050.
- (c) (F) Air Force - By Air Force AFTO Form 22 (Technical Manual (TM) Change Recommendation and Reply) in accordance with paragraph 6-5, Section VI, TO 00-5-1 directly to prime ALC/MST.

A reply will be furnished to you.

Copy of this Lubrication Order will remain with the equipment at all times. Instructions contained herein are mandatory.

DISTRIBUTION STATEMENT A - Approved for public release; distribution is unlimited.

NOTES:

This LO is for crew (C) or field (F) maintenance. Lube intervals (on-condition or hard-time) are based on normal operation. Lube more during constant use, and less during inactive periods. Use correct grade of lubricant for seasonal temperature expected.

On the picture a dash line (---) means lube points on both sides.

Clean parts with dry solvent (SD), type II, or equivalent. Use cleaning compound solvent (RBC) on powder-fouled parts. Dry before lubricating. DO NOT use fluid or semi-fluid lubricant on SFD lubricated surface. Wipe surfaces dry.

Before you start your lube service.

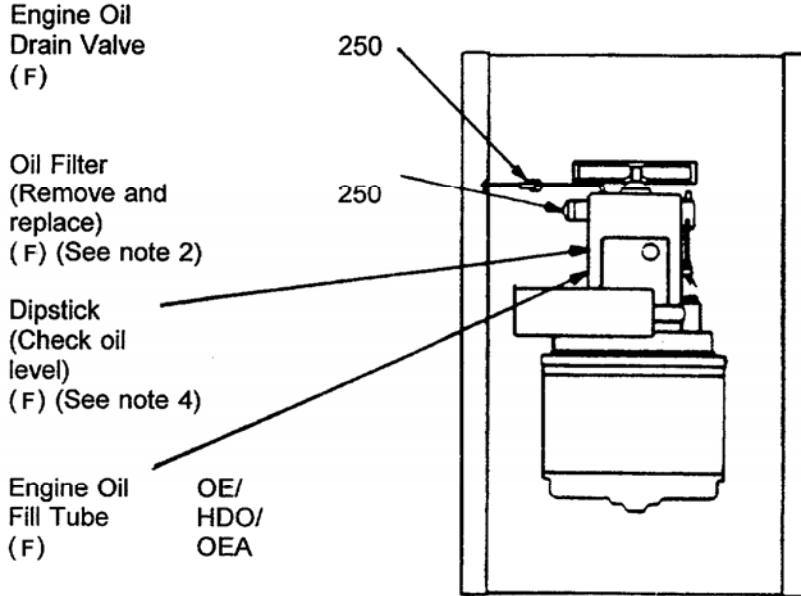
ALWAYS

- a. Clean grease fittings before lubrication.
- b. Use the lubrication order as your guide.

NEVER

- a. Use wrong type/grade grease.
- b. Use too much lubricant.

LUBRICANT ● INTERVAL



KEY

| LUBRICANTS | CAPACITY | Above +32°F(0°C) | +40°F (+4°C) to -10°F (-23°C) | 0°F (-17°C) to -65°F (-53°C) | INTERVALS |
|--|---|---------------------|-------------------------------------|------------------------------------|--|
| OE/HDO-Oil, Engine, Heavy Duty Crankcase Oil Can Points | With Filter 3.2 qts. 3 Liters | OE/HDO-30 | OE/HDO-10 | OEA | Intervals given are in hours of normal operation |
| OEA-Oil, Engine, Sub-zero | Without Filter 2.9 qts. 2.7 Liters | OE-HDO-15/40 | | | |

NOTES:

1. **FOR OPERATION OF EQUIPMENT IN COLD TEMPERATURES BELOW -10°F (-23°C).** Remove lubricants prescribed in the key for temperatures above -10°F (-23°C). Clean parts with dry solvent (SD), type II, or equivalent. Re-lubricate with lubricants specified in key for temperatures 0°F to -65°F (-17°C to -53°C).

2. **OIL FILTER.** After installing filter, fill crankcase, operate engine 5 minutes, and check housing for leaks. Shut down engine, check crankcase oil level, and bring to full mark. Oil filters shall be serviced/cleaned/changed as applicable, when:

LO 9-6115-641-12

- a. They are known to be contaminated, or clogged.
- b. Service is recommended by Army Oil Analysis Program (AOAP) laboratory analysis.
- c. At prescribed hard time intervals.

3.1 OIL CAN POINTS. Every 100 hours, lubricate the door hinges, latches, control linkage, and all exposed adjusting threads with OE/HDO/OEA.

3.2 CRANKCASE OIL. Engine oil must be sampled at an interval of 50 hours or 90 days as prescribed by DA PAM 738-750, The Army Maintenance Management System (TAMMS) Users Manual.

- a. For equipment under manufacturer's warranty, hard time oil service intervals shall be followed.
- b. Intervals shall be shortened if lubricants are known to be contaminated or if operation is under adverse conditions such as longer than usual operating hours, extended idling periods, extreme dust, etc.

4. FILL AND CHECK OIL LEVEL. After checking level, place dipstick into the adapter tube to prevent oil leakage or contamination.

CAUTION

The dipstick is marked so that the crankcase oil can be checked while engine IS stopped or running. Always make sure correct side of dipstick is checked.

NOTE

When AOAP laboratory support is not available, drain and refill crankcase oil every 250 hours or 6 months.

5. LUBRICANTS. The following is a list of lubricants with the military symbols and applicable military specification

OE/HDO - MIL-L-2104
OEA - MIL-L-46147

DISTRIBUTION

To be distributed in accordance with DA Form 12-25-E block no. 6010, requirements for LO 9-6115-641-12.

U.S. GOVERNMENT PRINTING OFFICE: 1998 O - 432-760 (60434)

These are the instructions for sending an electronic 2028

The following format must be used if submitting an electronic 2028. The subject line must be exactly the same and all fields must be included; however only the following fields are mandatory: 1, 3, 4, 5, 6, 7, 8, 9, 10, 13, 15, 16, 17, and 27.

From: "Whomever" <whomever@avma27.army.mil> TO:
<http://edm.monmouth.army.mil/pubs/2028.html>.

Subject: DA Form 2028

1 **From:** Joe Smith
2 **Unit:** home
3 **Address:** 4300 Park
4 **City:** Hometown
5 **St:** MO
6 **Zip:** 77777
7 **Date Sent:** 19-OCT-93
8 **Pub no:** 55-2840-229-23
9 **Pub Title:** TM
10 **Publication Date:** 04-JUL-85
11 **Change Number:** 7
12 **Submitter Rank:** MSG
13 **Submitter FNarme:** Joe
14 **Submitter MName:** T
15 **Submitter LName:** Smith
16 **Submitter Phone:** 123-123-1234
17 **Problem:** 1
18 **Page:** 2
19 **Paragraph:** 3
20 **Line:** 4
21 **NSN:** 5
22 **Reference:** 6
23 **Figure:** 7
24 **Table:** 8
25 **Item:** 9
26 **Total:** 123
27 **Text:**

This is the text for the problem below line 27.

By Order of the Secretary of the Army:

Official:

GEORGE W. CASEY, JR
General, United States Army
Chief of Staff



JOYCE E. MORROW
Administrative Assistant to the
Secretary of the Army
0914710

By Order of the Secretary of the Air Force:

Official:

NORTON A. SCHWARTZ
General, United States Air Force
Chief of Staff

BRUCE CARLSON
General, United States Air Force
Commander, AFMC

By Order of the Marine Corps:

G.W. TAYLOR
Product Group Director, PG-15
Ground Transportation Engineer Systems
Marine Corps System Command

Army Distribution:

To be distributed in accordance with the initial distribution number (IDN) 256006 requirements for LO 9-6115-641-12.

Marine Corps Distribution:

To be distributed in accordance with PCN 309 611500 00 .